

# Victoria Arduino Black Eagle 2 Group Spec Sheet

## Water Requirements

- 3/8" dedicated cold water line with shut-off valve and compression fitting.
- Water hardness cannot exceed 3gpg or 50 ppm. If water hardness exceeds 3gpg a water softener must be installed.
- Minimum incoming water flow rate of 35 GPH and maximum line pressure of 70 PSI / 5 BAR.

## Water Softening Equipment

1. Water Softener Capacity: Single - 4400 gpg
2. Water Softener Capacity: Double - 8800 gpg
3. Water Softener Capacity: Triple - 13200 gpg
4. Water Softener Capacity: Automatic - Programmable
5. Water Softener Capacity: Manual - 4400 gpg

## Water Softener/Maintenance Calculation

$$\frac{\text{Cartridge Grain Capacity}}{\text{Water Hardness (grains per gallon)}} = \frac{\text{Gallon Capacity of Cartridge}}{\text{Gallons of Water Used per Day}} = \text{Days Until Cartridge Needs to be Replaced}$$

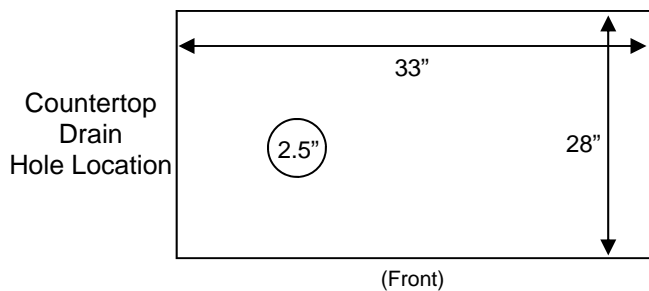

---

## Counter Space Requirements

- Height: 20 inches
- Depth: 28 inches
- Width: 33 inches
- Weight: 235 pounds

## Drain Requirements

- Open gravity drain of minimum 1.25 inch I.D., within 4 feet of the machine.



## Power Requirements

- Volts: 220 (voltage range of 208-240)
- Watts: 7100
- Amp draw: 32
- Receptacle: Nema 6-50

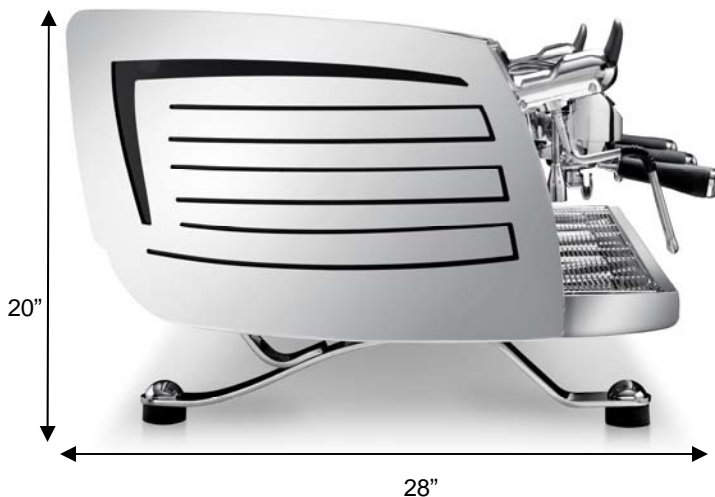


Nema 6-50



NSF / ANSI Std.4

The average water consumption of this machine is 4 gallons per day, which represents 128 drinks at 4oz per drink.



I, the customer, understand that these requirements must be in when the installer arrives. Failure to have the site ready will result in additional service and travel charges, and may cause further delays in installation.

Customer Name: \_\_\_\_\_ Signature: \_\_\_\_\_

Company Name: \_\_\_\_\_

Phone: \_\_\_\_\_ Fax: \_\_\_\_\_ Email: \_\_\_\_\_