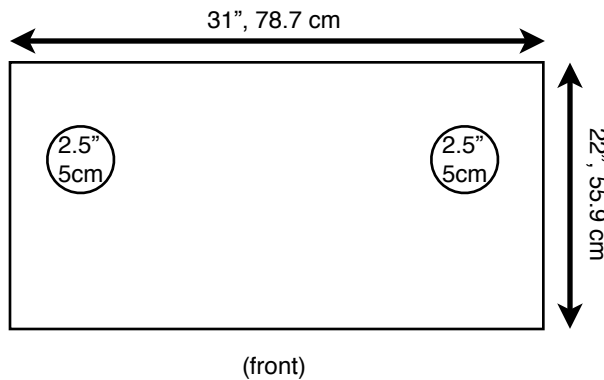


Water Requirements:

- 3/8" BSP dedicated cold water line with shut-off valve. In North America, 3/8" compression to 3/8" NPT Male fitting is needed and will be slightly cross threaded into 3/8" BSP water line
- Incoming water pressure: 3 Bar minimum, 5 Bar maximum
- Water hardness can not exceed 50ppm, otherwise a water softener is needed

Counter Space Requirements:

- Width: 31", 78.7cm
- Depth: 22", 55.9cm
- Height: 17", 43.2cm
- Weight: 200 lbs/91kg (dry), 220 lbs/100kg (boilers filled)



Drain Requirements:

- Open gravity drain located within 4 feet, 1.2 meters of the machine.
- Please ensure drain line is always sloping downwards
- Drain hose: 7/8"OD, 5/8"ID. 2.2cm OD, 1.6cm ID

Power Requirements:

- 200-240 VAC, Single Phase
- 5700 Watts
- 30 Amp
- Receptacle: Nema L6-30

* please note, male plug end is NOT included with the machine and must be supplied by client

