

## NEXT Top Milk with Bev-Air Fridge

*Super Automatic Espresso Machine with Beverage Air Refrigerator*

The NEXT Top Milk is controlled by a 10.1" HD tablet interface, with a flexible and customizable operating system powered by Android™. Two self-adjusting grinders make precise adjustments to the grind setting for consistent taste and volume in each cup, on each machine, and at each location. Beverage Air undercounter fridges conserve counter space and significantly increase milk storage capacity. The NEXT is made of stainless steel and ABS plastic and features an easy 3-step automatic daily cleaning program.



### Standard Features

- Super automatic with app-controlled user interface
- HD tablet interface powered by Android™
- Single milk pump system
- Dual Ditting® self-adjusting grinders automatically adjust the grind size to compensate for environmental changes
- Americano bypass enables the machine to deliver authentic Americanos into a single cup
- Lowest cost of ownership of any fully automatic
- Premium espresso brewing
- Centralized hot water
- Requires only 12" of counter space
- Patented stainless steel 18-gram brew group
- Made of stainless steel and ABS plastic
- 2-year parts warranty

### Accessories in the Box

- Plastic grounds bin container
- One-month supply of daily cleaning products
- Milk container
- Container for daily cleaning
- User manual
- Foot extensions

### Options

**iSteam:** Intelligent steam wand automatically froths or steams milk, and shuts off at programmed temperature

**Automatic Spout+:** Automatically adjusts the dispensing spout to the correct cup size

**External Hot Water Outlet:** Hot water delivered through a separate outlet to the right of the drink spout

**Self-Service Package:** Includes locks for hopper and grounds drawer, as well as cup stopper pins for the drink tray

**Powder Module:** Enables machine to deliver up to 2 types of powder, such as chocolate for mochas and for hot chocolate (not available w/ Cool Coffee Module)

**Cool Coffee Module:** Rapidly cools coffee after brewing for the best quality iced beverages (not available w/ Powder Module)

**BC22:** High-capacity 25-gram brew chamber allows for extra-large coffee drinks to be prepared in a single brew cycle

**Multi-Milk:** Add to any fridge configuration to deliver two types of milk

### Space Requirements

Allow at least one and a half inches (1.5") of clearance from the back of the machine to the nearest wall for air circulation.

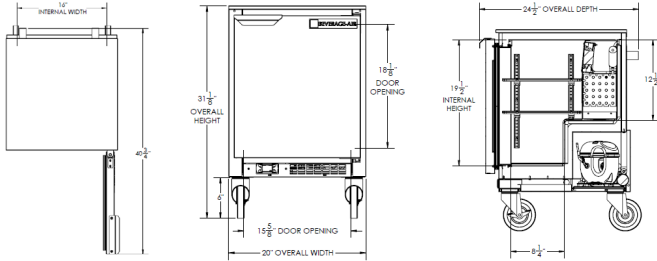
Allow at least four inches (4") of clearance above hoppers to refill. (recommended 12")

Allow 24" x 5" for in-line filter. Filter can be mounted behind the machine or under the counter.

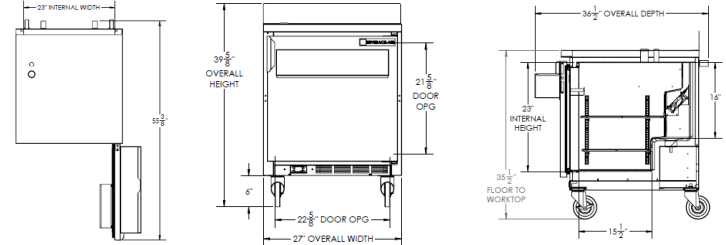
# NEXT Top Milk with Bev-Air Fridge

Super Automatic Espresso Machine with Beverage Air Refrigerator

## Beverage Air UCR20HC



## Beverage Air WTR27AHC-SR



Beverage Air refrigerators feature stainless steel front, top, sides, and doors. The interior liner is made from corrosion resistant aluminum and includes a built-in thermometer. Doors are self-closing with a 120° stay-open feature with cartridge style hinges. Two epoxy-coated steel wire shelves are standard. The refrigeration system uses R290 refrigerant to comply with all environmental concerns. Evaporator is automatic and non-electric with an epoxy coated evaporator coil. Refrigerators come specially pre-drilled for complete compatibility with Egro machines. Beverage Air UCR20HC undercounter fridge can accommodate 2 gallons of milk and fits under most countertops. Beverage Air WTR27AHC-SR can function as a workstation with the NEXT directly on top. It also includes a removable 4" backsplash and a speed rail for added convenience.

### Undercounter Requirements

UCR20HC with 6" casters

Width	Depth	Height	Weight
21"	24.5"	31.2"	110 lbs

Depth with door at 90°: 40.75"

WTR27AHC-SR with 6" casters

Width	Depth	Height	Weight
27"	36.5"	39.63"	160 lbs

Depth with door at 90°: 55.63"

### Shipping Dimensions and Weight (estimated)

UCR20HC

Width	Depth	Height	Weight
23"	26"	35"	120lbs

WTR27AHC-SR

Width	Depth	Height	Weight
30"	33"	35"	172lbs

### Electrical Connections

Beverage Air UCR20HC/ WTR27AHC-SR

Voltage Range: 110-120VAC

Power: 200W

Circuit Size: 15A

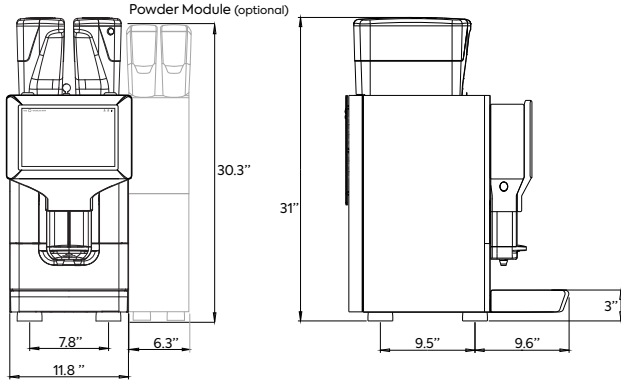
Suggest Receptacle: NEMA 5-15R

### Standard Features

- Stainless steel front, sides, and top
- Galvanized steel back and bottom
- Interior thermometer
- Aluminum door handle
- Two adjustable interior steel wire epoxy coated shelves
- R290 refrigerant metered by a capillary tube system
- 8 feet long cord and plug set included
- 6" casters, two with brakes standard

# NEXT Top Milk with Bev-Air Fridge

Super Automatic Espresso Machine with Beverage Air Refrigerator



## Countertop Requirements

### Espresso Machine

Width	Depth	Height	Weight
12"	23"	31"	126 lbs

### Espresso Machine w/ Powder Module

Width	Depth	Height	Weight
18"	23"	31"	154 lbs

## Shipping Dimensions and Weight

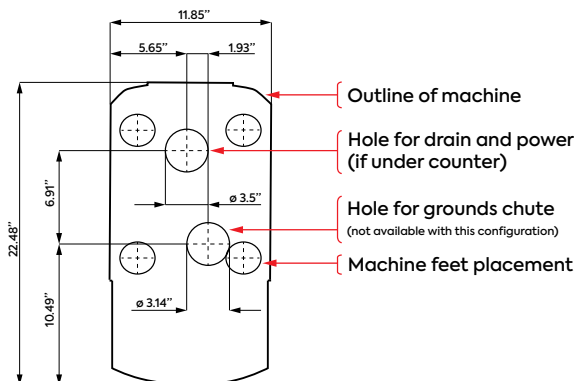
### Espresso Machine

Length	Width	Height	Weight
36"	36"	33"	155 lbs

### Espresso Machine w/ Powder Module

Length	Width	Height	Weight
36"	36"	33"	240 lbs

## Countertop Drilling Plan



## Electrical Connections

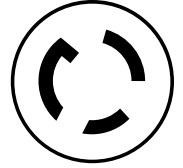
### Espresso Machine

Voltage Range: 208-240VAC

Power: 6000W

Circuit Size: 30A

Suggest Receptacle: NEMA L6-30R



### Powder Module (optional)

Voltage Range: 110-120VAC

Power: 200W

Circuit Size: 15A

Suggest Receptacle: NEMA 5-15R

**NOTE:** Egro machines do not use a neutral line. A dedicated ground wire is required.

Power can be installed under or above the counter. Please allow 3.5"-4" of space for the plug, especially when placing power above the counter and behind the machine.

## Water Connections

Dedicated cold water access line with standard female 3/8" NPT fitting and manual shut-off valve within 4' of the machine required.

## Drain Requirements

Open gravity drain with minimum 2" I.D. within 4' of the machine.

## Water Quality Statement

The fact that water is potable is no guarantee that it is suitable for coffee machines. Your water supply must be within these general guidelines:

**SUPPLY PRESSURE:** 30-70 psi

**HARDNESS:** 2-3 GPG (1 grain of hardness = 17.1 ppm)

Water entering the machine should have a water hardness level of 2-3 GPG at all times. If the water supply is not within this range, a dedicated water softener (if above 3 GPG) or mineral addition cartridge (if below 2 GPG) is required for the coffee machine to operate properly over time (see Rancilio Group North America Water Quality Statement for further details).

Android is a registered trademark of Google LLC.

Ditting is a registered trademark of Ditting Maschinen AG.

