

NEXT Pure Coffee

High Volume Super Automatic Espresso Machine

The NEXT is controlled by a 10.1" HD tablet interface, with a flexible and customizable operating system powered by Android™. Two self-adjusting grinders make precise adjustments to the grind setting for consistent taste and volume in each cup, on each machine, and at each location. The iSteam automatic steam wand froths milk to the perfect texture and temperature. The NEXT is made of stainless steel and ABS plastic and features an easy 3-step automatic daily cleaning program.



Standard Features

- Super automatic with an app-controlled user interface
- HD tablet interface powered by Android™
- iSteam intelligent steam wand automatically froths and steams milk
- Dual Ditting® self-adjusting grinders automatically adjust the grind size to compensate for environmental changes
- Americano bypass enables the machine to deliver authentic Americanos into a single cup
- Lowest cost of ownership of any fully automatic
- Premium espresso brewing
- Centralized hot water
- Requires only 12" of counter space
- Patented stainless steel 18-gram brew group
- Made of stainless steel and ABS plastic
- Easy 3-step automatic daily cleaning program
- Simultaneous coffee and steam delivery
- 2-year parts warranty

Accessories in the Box

- Plastic grounds bin container
- One-month supply of daily cleaning products
- User manual
- Foot extensions

Options

iSteam Plus: High performance intelligent steam wand, designed to accommodate locations with high consumption of steamed milk

Automatic Spout+: Automatically adjusts the dispensing spout to the correct cup size

Under Counter Grounds Chute: Chute that diverts ground coffee to under the counter waste container

Self-Service Package: Includes locks for hopper and grounds drawer, as well as cup stopper pins for the drink tray

Powder Module: Enables machine to deliver up to 2 types of powder, such as chocolate for mochas and for hot chocolate (not available w/ Cool Coffee Module)

Cool Coffee Module: Rapidly cools coffee after brewing for the best quality iced beverages (not available w/ Powder Module)

BC22: High-capacity 25-gram brew chamber allows for extra-large coffee drinks to be prepared in a single brew cycle

Space Requirements

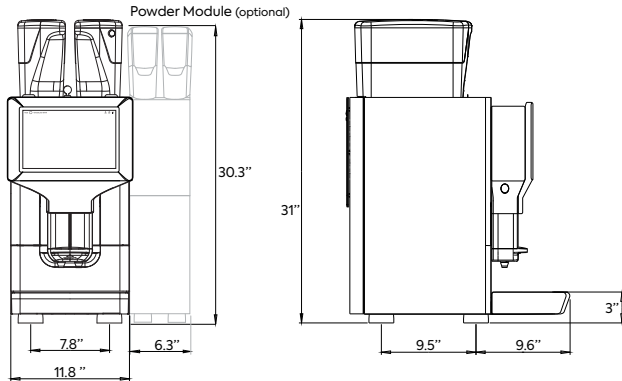
Allow at least one and a half inches (1.5") of clearance from the back of the machine to the nearest wall for air circulation.

Allow at least four inches (4") of clearance above hoppers to refill. (recommended 12")

Allow 24" x 5" for in-line filter. Filter can be mounted behind the machine or under the counter.

NEXT Pure Coffee

High Volume Super Automatic Espresso Machine



Countertop Requirements

Espresso Machine

Width	Depth	Height	Weight
12"	23"	31"	126 lbs

Espresso Machine w/ Powder Module

Width	Depth	Height	Weight
18.5"	23"	31"	154 lbs

Shipping Dimensions and Weight

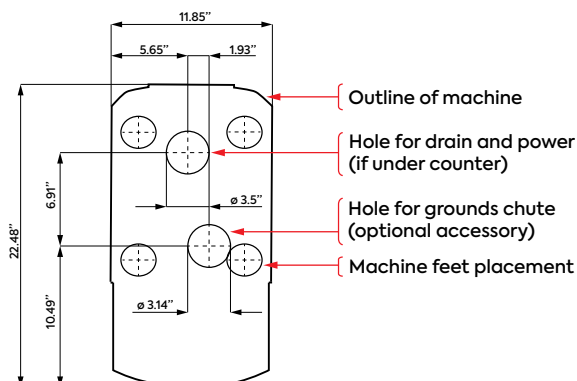
Espresso Machine

Length	Width	Height	Weight
36"	36"	33"	155 lbs

Espresso Machine w/ Powder Module

Length	Width	Height	Weight
36"	36"	33"	240 lbs

Countertop Drilling Plan



Electrical Connections

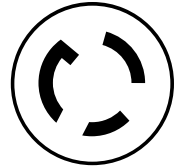
Espresso Machine

Voltage Range: 208-240VAC

Power: 6000W

Circuit Size: 30A

Suggest Receptacle: NEMA L6-30R



Powder Module (optional)

Voltage Range: 110-120VAC

Power: 200W

Circuit Size: 15A

Suggest Receptacle: 5-15R GFI

NOTE: Egro machines do not use a neutral line. A dedicated ground wire is required.

Power can be installed under or above the counter. Please allow 3.5"-4" of space for the plug, especially when placing power above the counter and behind the machine.

Water Connections

Dedicated cold water access line with standard female 3/8" NPT fitting and manual shut-off valve within 4' of the machine required.

Drain Requirements

Open gravity drain with minimum 2" I.D. within 4' of the machine.

Water Quality Statement

The fact that water is potable is no guarantee that it is suitable for coffee machines. Your water supply must be within these general guidelines:

SUPPLY PRESSURE: 30-70 psi

HARDNESS: 2-3 GPG (1 grain of hardness = 17.1 ppm)

Water entering the machine should have a water hardness level of 2-3 GPG at all times. If the water supply is not within this range, a dedicated water softener (if above 3 GPG) or mineral addition cartridge (if below 2 GPG) is required for the coffee machine to operate properly over time (see Rancilio Group North America Water Quality Statement for further details).

Android is a registered trademark of Google LLC.

Ditting is a registered trademark of Ditting Maschinen AG.

