

MDJ On Demand

Installation Requirements



Power

- Volts: 110 (range of 110-125)
- Watts: 575
- Amp draw: 5
- Receptacle: Nema 5-15



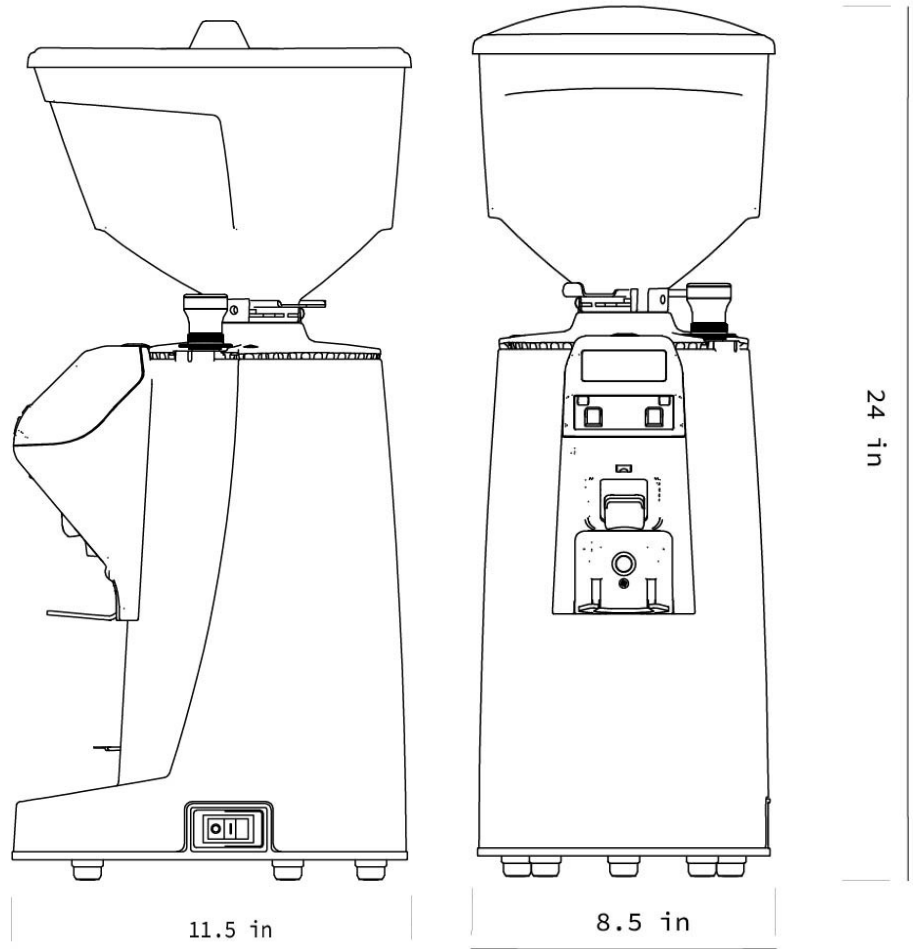
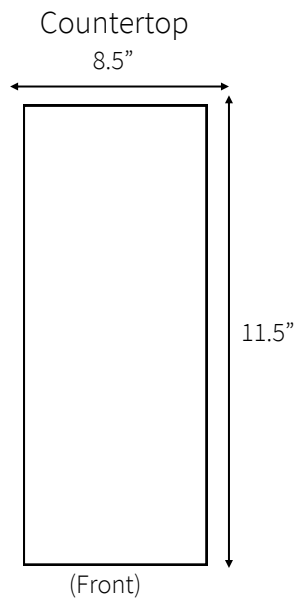
Nema 5-15
(receptacle)

Counter Space

- Height: 24 inches
- Depth: 11.5 inches
- Width: 8.5 inches
- Weight: 38 pounds

Shipping Specs

- Height: 25 inches
- Depth: 12 inches
- Width: 16 inches
- Weight: 45 pounds



I, the customer, understand that these requirements must be in when the installer arrives. Failure to have the site ready will result in additional service and travel charges, and may cause further delays in installation.

Customer Name: _____ Signature: _____

Company Name: _____

Phone: _____ Email: _____